



Main Features:-

- ◆ Screwed BSPP Female x Female
- ◆ Sandblasted Nickel Plated Body
- ◆ Reduced Bore
- ◆ Short Handle Rated PN16
- ◆ Temperature -10°C to 90°C

*Temperature and pressure determined by valve body, seat etc.

Suitable Applications & Approvals:



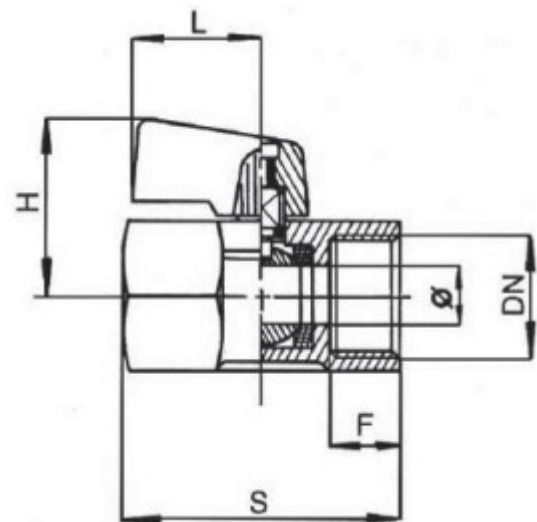
INDUSTRY



SERIES: 10001

MANUFACTURER: **AVOL**
INDUSTRIAL VALVES

No	Name	Materials
1	Body	Sandblasted Nickle Plated Brass
2	Sleeve	Brass
3	Ball	Nickel Plated Brass
4	Seat	PTFE
5	Stem O'Ring	NBR
6	Handle	Glass Fibre Reinforced Nylon



VALVE DIMENSIONS

Size	O	F	S	H	L	Kg
1/4"	6	11	39	29	19	0.09
3/8"	6	11	43	29	19	0.09
1/2"	10	11	47	29.5	23	0.12

ALL VALVES ONLINE

Offering a full range of actuated valve packages, manual valve range, pipe fittings and pumps, we have a product for all your requirements. As an ISO 9001-2015 Quality Approved and certified company, All Valves offer a quality service from pre-sale to post sale. Shipping millions of pounds in value of manual valve and actuated valve packages all over the world since its formation, All Valves are a trusted valve and actuator supplier to many companies all over the world. Working with the leading brands in most industries.



T +44 (0)1386 552369

E sales@allvalves.co.uk

W www.allvalves.co.uk

F +44 (0)1386 554227